

PART # 4187	
RATCHET MOUNT	
OWN DD	SCALE NONE
DATE	10/19/98
LET	WAS
L	ASSEMBLED AT SKP
DD	10/19/98
M	R&R BOARDER/ UPDATE TO 'EAR99/TECNIE593
BM	10/04/16

**Spatspeare**  
ELECTRONIC PRODUCTS GROUP  
COLUMBIA, SC 2980

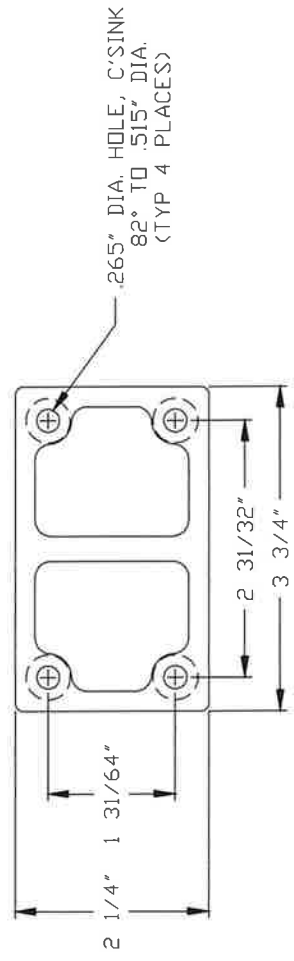
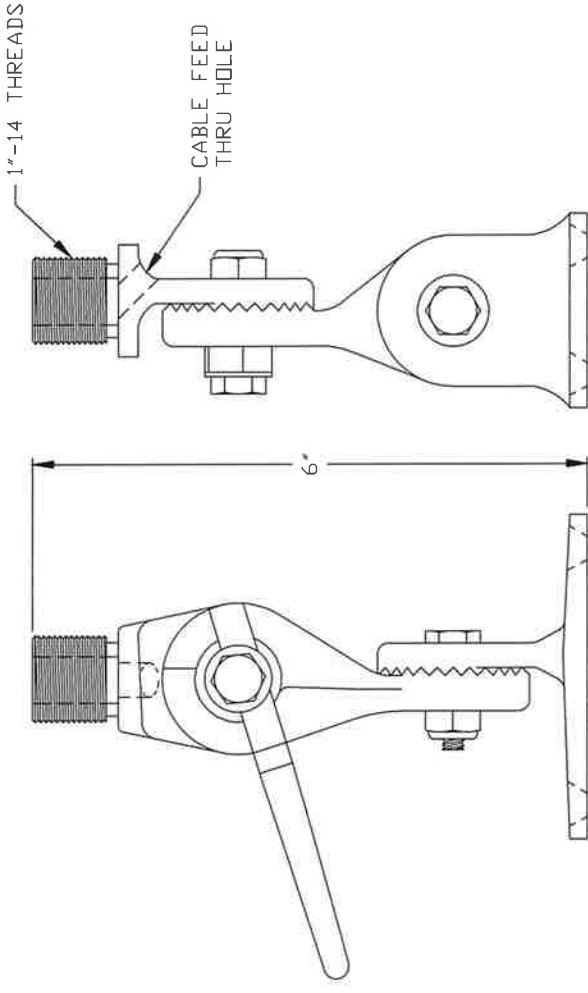
ENGINEERING APPROVAL:  
B.MARTIN 10/26/2016 REV: M\*

UNLESS OTHERWISE SPECIFIED DIMENSIONS ARE IN INCHES.  
X = ± .1  
.XX = ± .010  
.XXX = ± .005  
ANGLES = ± 1/2° FRACTIONS = ± 1/64

ALL DIMENSIONS AND SPECIFIED FITS ARE FOR FINISHED PARTS TO BE MET AT COMMERCIAL TOLERANCES APPLY FOR GAUGE TUBING AND BAR STOCK  
DO NOT SCALE DRAWING

THIS INFORMATION IS EAR CONTROLLED  
THIS DOCUMENT CONTAINS TECHNICAL DATA/INFORMATION CONTROLLED BY THE U.S. DEPARTMENT OF COMMERCE EXPORT ADMINISTRATION REGULATIONS 15 CFR 730-744, EAR ECCN CLASSIFICATION EAR999. EXPORT OR DISCLOSURE TO FOREIGN PERSONS MAY VIOLATE U.S. FEDERAL REGULATIONS.

IDENTIFICATION PRINT ONLY



NOTES:  
1-DESCRIPTION: 4-WAY RATCHET MOUNT  
2-MAT'L: STAINLESS STEEL