

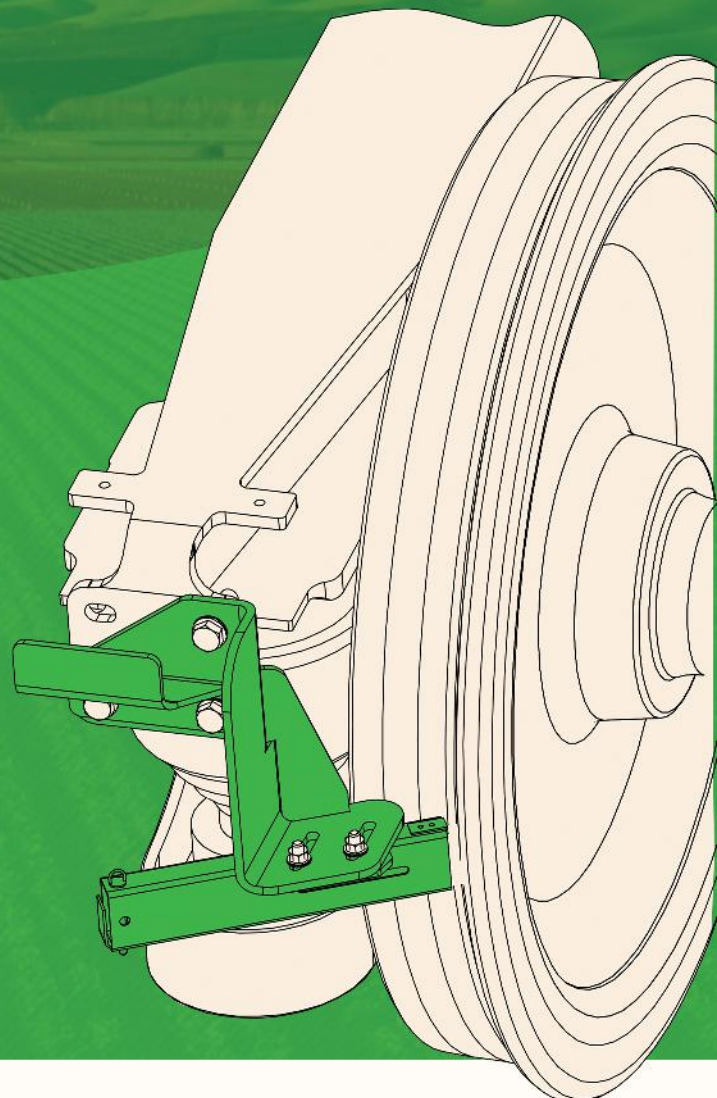
NSP-WFL bio-based wheel flange lubrication system.

NSP-WFL reduces the coefficient of friction, minimizes wear of wheel flanges and rail, while saving fuel and limiting noise.

To improve the wheel-rail cooperation, the system lubricates the most vulnerable areas of wear. Solid sticks are pressed against the wheel flange with spring. The thin coating is being passively transferred through rail to subsequent wheels. Solid stick is the cheapest and most reliable method of wheel flange lubrication, and has been in operation for many years now. Effectively used on freight and passenger locomotives, metro and commuter lines, and even heritage railways.

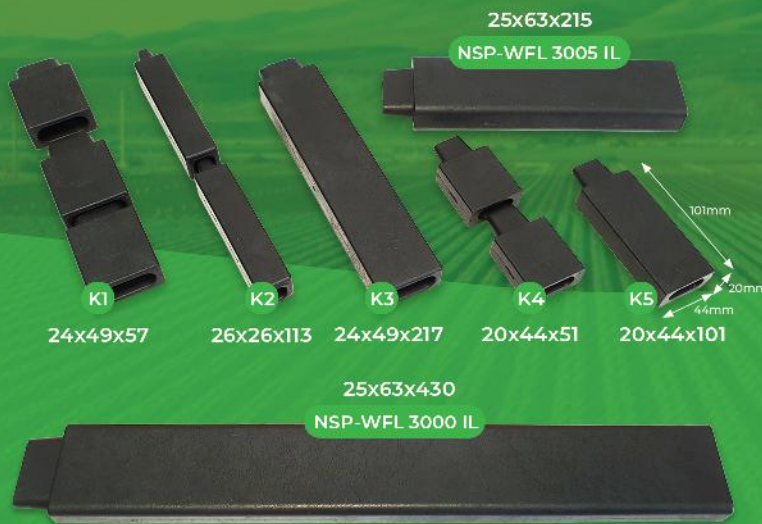


NSP-WFL is a proven system. It is cleaner, simpler and less problematic than oil and grease systems, and far more durable than any other solid lubricant.



NSP-WFL:

- Extends wheel life by reducing flange wear
- More durable than competitive lubricants
- Reduces rail wear
- Saves fuel/energy and limits noise
- Environmentally friendly
- Simple installation
- Low total operating cost
- Reduces risk of derailments
- Complies with EN16028 standard



Our on-board solid stick lubrication system is applied by a spring loaded applicator and bracket designed and manufactured for individual customers.

Applicators can be adjusted to suit many vehicle and system options. We offer many ready-made solutions and applicator types as well as spare parts.

Some of our clients:

